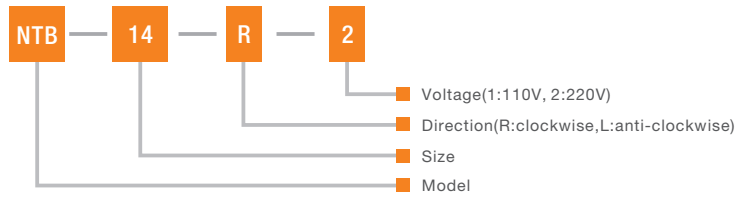
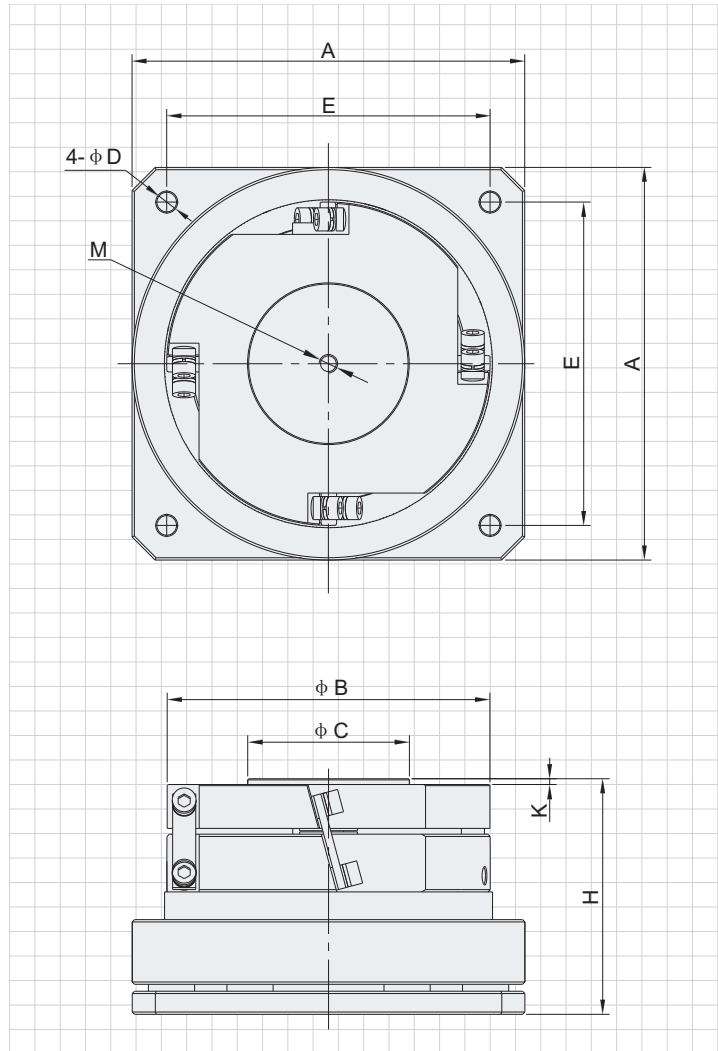


NTB Series *-Precision Small-sized Type*

Order Code



NTB-14 Dimensions



Outline

NTB-14 is a model of vibratory bowl drive suitable for tiny or precision parts feeding, featured in stable vibration and low noise level with the similarity to high-profiled precision bowl drives to achieve the best performance collaborative with the frequency modulation controllers.

Features

- Smoothly precisely controlled feeding speed and stability achievable with frequency modulation controllers;
- Particularly suitable for the high-speed and stable orientating, sorting and feeding of tiny or precision parts;
- Selected materials, comprehensive testing with high safety and good stability.

Specifications

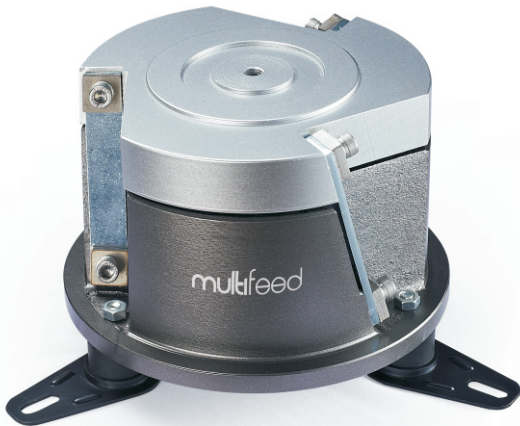
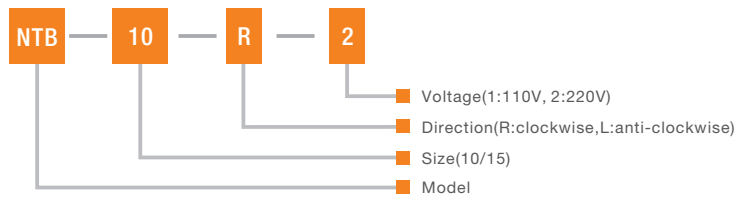
Model	Drive mode	Vibrator mass(kg)	Input voltage(V)	Rated current(A)	Vibration frequency(Hz)	Max.bowl diameter(mm)	Max.loaded weight(kg)	Compatible controller
NTB-14	EM	12	0~260	1.5	120~380	250	2	SDVC31-S

Dimensions

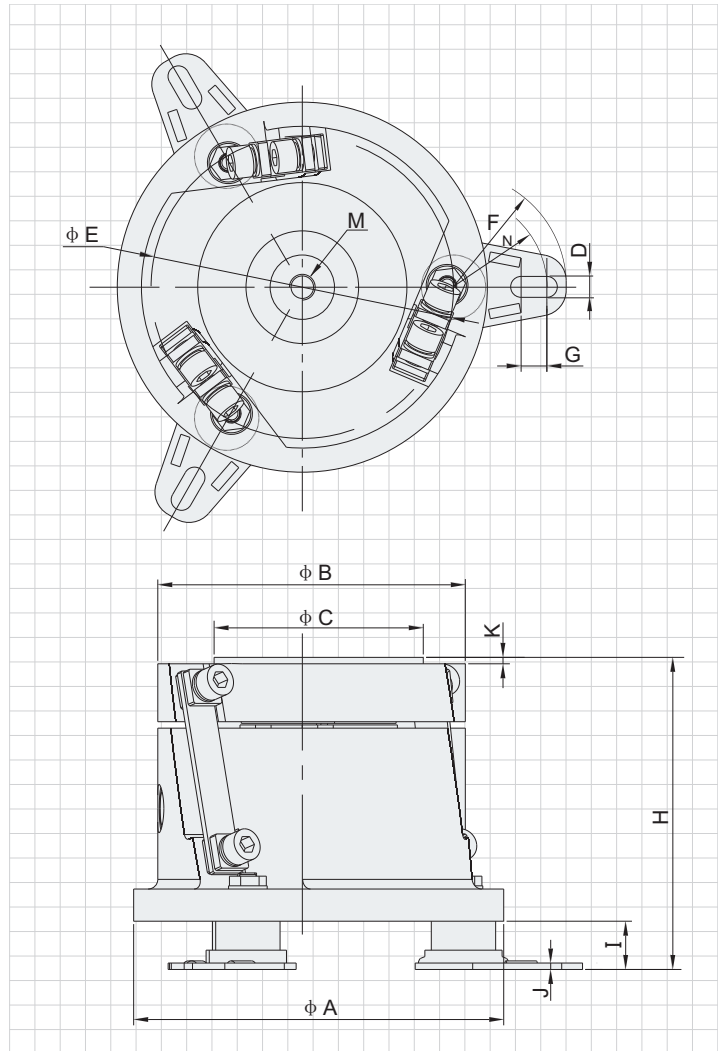
Model	A	φB	φC	M	φD	E	H	K
NTB-14	170	140	70	8	8.5	140	102	2.5

NTB Series - Small-sized Type

Order Code



NTB-10/15 Dimensions



Outline

NTB-10/15 are models of vibratory bowl drives suitable for tiny or precision parts feeding, featured in great stability and feeding capacity with the similarity to high-profiled precision bowl drives on the basis of the mastery of design and properties of materials.

Features

- Smoothly precisely controlled feeding speed and stability achievable with frequency modulation controllers;
- Particularly suitable for the high-speed and stable orientating, sorting and feeding of tiny or precision parts;
- Selected materials, comprehensive testing with high safety and good stability.

Specifications

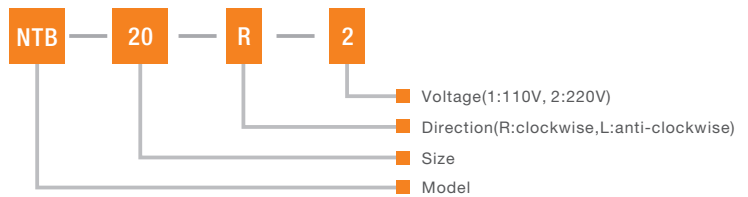
Model	Drive mode	Vibrator mass(kg)	Input voltage(V)	Rated current(A)	Vibration frequency(Hz)	Max.bowl diameter(mm)	Max.loaded weight(kg)	Compatible controller
NTB-10	EM	3.2	0~220	1.5	100~320	150	1.5	SDVC31-S
NTB-15	EM	8.3	0~260	1.5	100~300	250	3	SDVC31-S

Dimensions

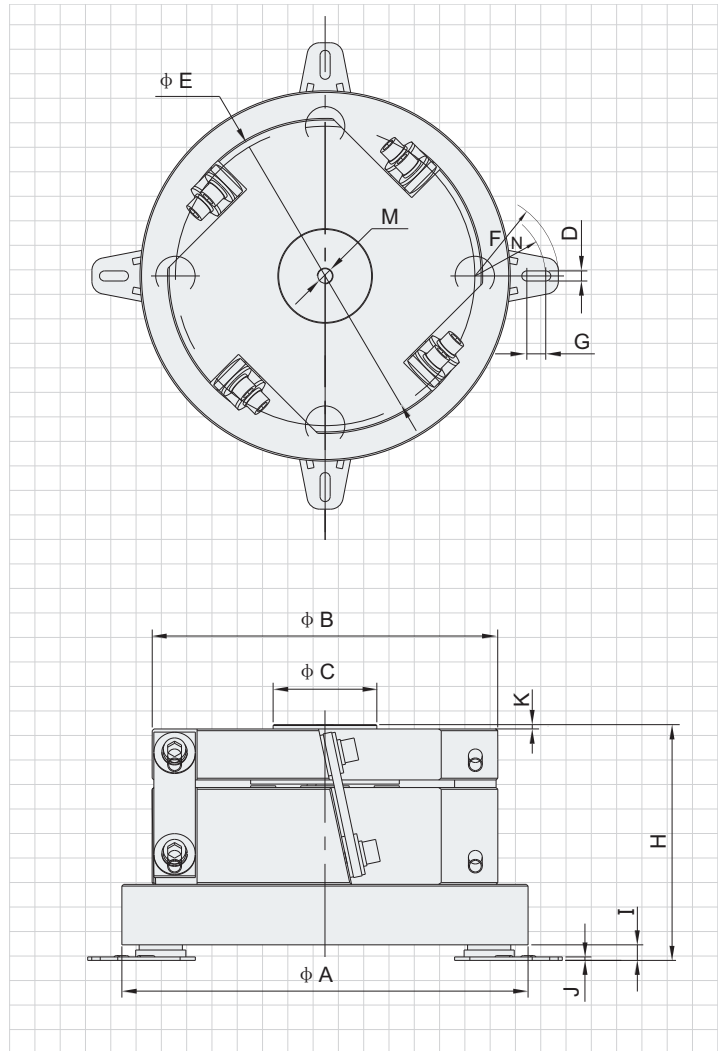
Model	φA	φB	φC	M	D	φE	F	N	G	H	I	J	K
NTB-10	115	100	65	8	6.5	94	37	31	8	97	15	2	2
NTB-15	170	150	85	8	6.5	144	53	45	12	125	20	2	2

NTB Series - Medium-sized Type

Order Code



NTB-20 Dimensions



Outline

NTB-20 is a model of vibratory bowl drives with a wide scope of applications, featured in moderate amplitude and frequency, larger load range, as well as integrated applications of controllable parameters, which can be applicable in multi-working conditions.

Features

- Smoothly precisely controlled feeding speed and stability achievable with frequency modulation controllers;
- Particularly suitable for the high-speed and stable orientating, sorting and feeding of tiny or precision parts;
- Selected materials, comprehensive testing with high safety and good stability;
- Simplified structure, convenient adjustment and maintenance.

Specifications

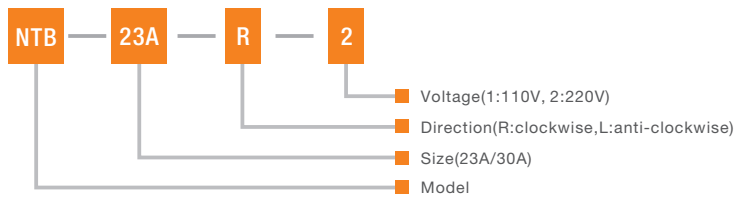
Model	Drive mode	Vibrator mass(kg)	Input voltage(V)	Rated current(A)	Vibration frequency(Hz)	Max.bowl diameter(mm)	Max.loaded weight(kg)	Compatible controller
NTB-20	EM	24.4	0~220	3	60~220	370	10	SDVC31-M

Dimensions

Model	φA	φB	φC	M	D	φE	F	N	G	H	I	J	K
NTB-20	235	200	60	10	6.5	190	53	45	12	136.5	9	2	2.5

NTB Series *-Medium-sized Type A*

Order Code



NTB-23A/30A Dimensions

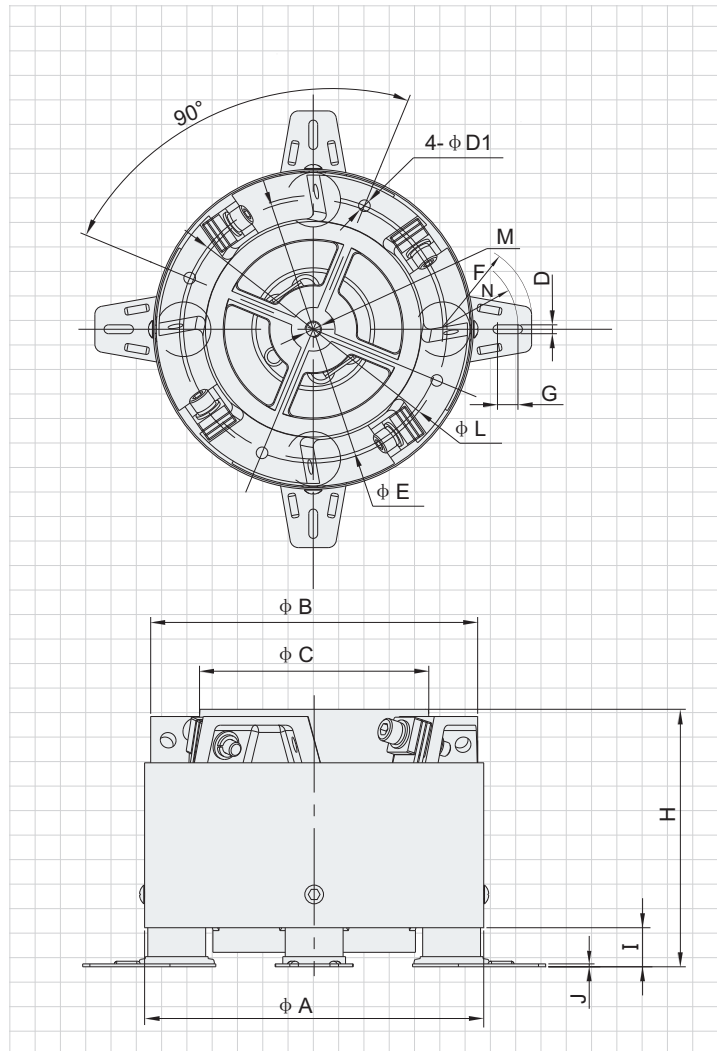


Outline

NTB-23A/30A are models of vibratory bowl drives with a wide scope of applications, featured in moderate amplitude and frequency, larger load range, as well as integrated applications of controllable parameters, which can be applicable in multi-working conditions.

Features

- Smoothly precisely controlled feeding speed and stability achievable with frequency modulation controllers;
- Particularly suitable for the high-speed and stable orientating, sorting and feeding of tiny or precision parts;
- Selected materials, comprehensive testing with high safety and good stability;
- Simplified structure, convenient adjustment and maintenance.



Specifications

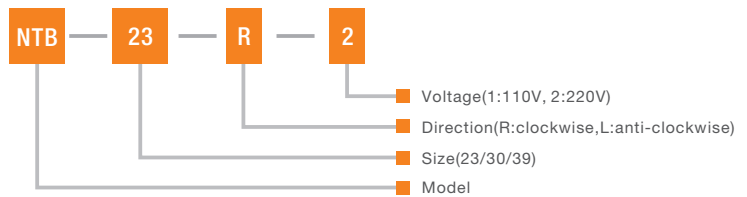
Model	Drive mode	Vibrator mass(kg)	Input voltage(V)	Rated current(A)	Vibration frequency(Hz)	Max.bowl diameter(mm)	Max.loaded weight(kg)	Compatible controller
NTB-23A	EM	18	0~220	3	60~220	370	10	SDVC31-M
NTB-30A	EM	36	0~220	3	60~220	420	15	SDVC31-M

Dimensions

Model	φA	φB	φC	M	D	φD1	φE	F	N	G	H	I	J	φL
NTB-23A	234.4	226	160	12	6.5	8.5	190	65	55	15	178	27	2	196
NTB-30A	306.4	296	200	12	6.5	8.5	260	65	55	15	198	30	2	250

NTB Series - Medium-sized Type

Order Code



NTB-23/30/39 Dimensions

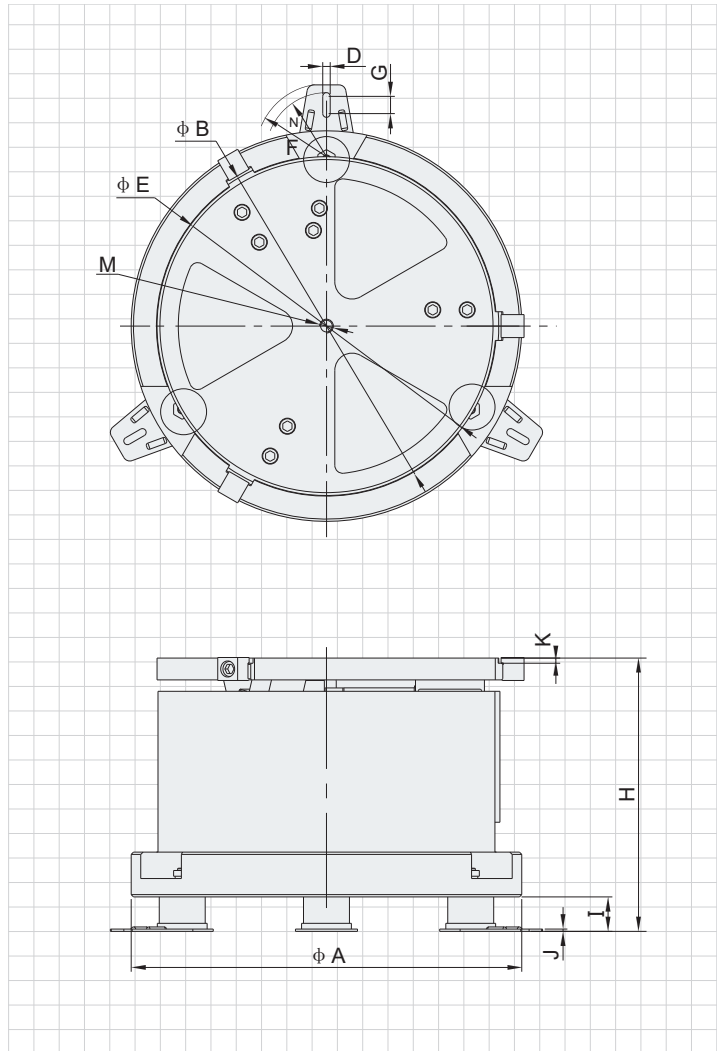


Outline

NTB-23/30/39 are models of vibratory bowl drives with a wide scope of applications, featured in lower energy consumption and larger amplitude with a high ratio of performance to price on the basis of the mastery of sophisticated design and properties of materials.

Features

- Smoothly precisely controlled feeding speed and stability achievable with frequency modulation controllers;
- Particularly suitable for the high-speed and stable orientating, sorting and feeding of tiny or precision parts;
- Selected materials, comprehensive testing with high safety and good stability;
- Simplified structure, convenient adjustment and maintenance.



Specifications

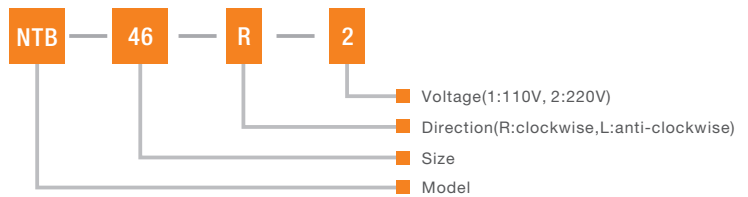
Model	Drive mode	Vibrator mass(kg)	Input voltage(V)	Rated current(A)	Vibration frequency(Hz)	Max.bowl diameter(mm)	Max.loaded weight(kg)	Compatible controller
NTB-23	EM	23	0~220	1.5	70~250	370	10	SDVC31-M
NTB-30	EM	38	0~220	3	70~250	500	20	SDVC31-M
NTB-39	EM	79	0~200	3	70~250	620	30	SDVC31-L

Dimensions

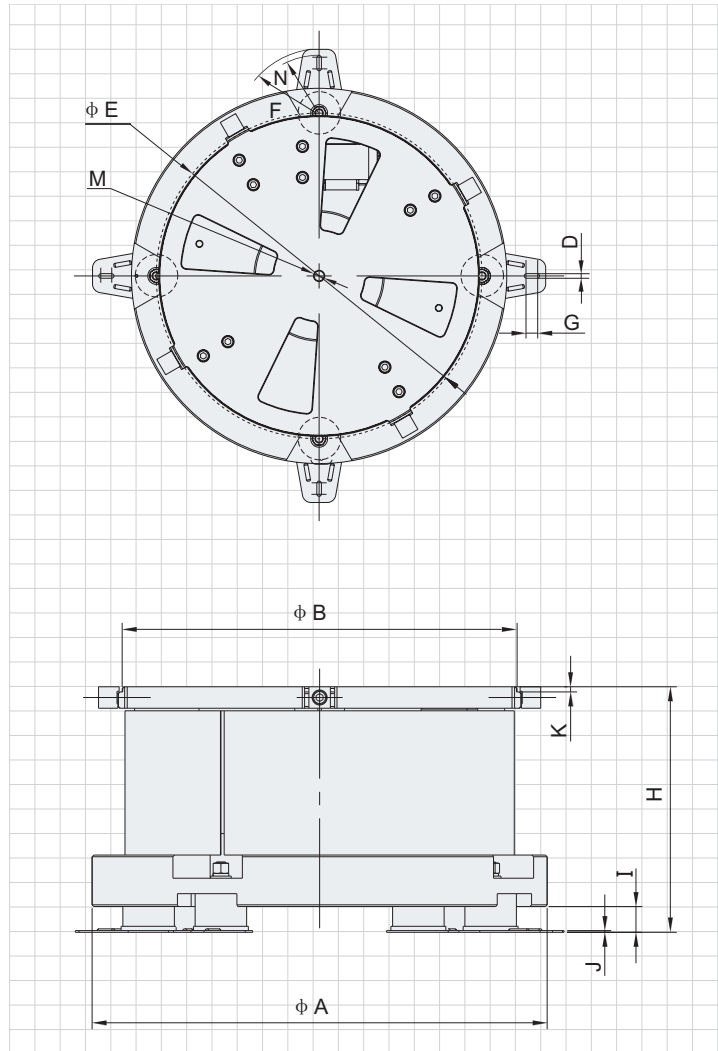
Model	φA	φB	M	D	φE	F	N	G	H	I	J	K
NTB-23	260	230	12	8.5	220	110	97.8	63.5	233	34	4	4.5
NTB-30	340	300	12	8.5	290	110	97.8	63.5	242	34	4	4.5
NTB-39	440	390	16	6.5	380	80	68	15	279	40	2	6

NTB Series - Large-sized Type

Order Code



NTB-46 Dimensions



Outline

NTB-46 is a model of vibratory bowl drives designed for medium or large parts feeding, featured in larger amplitude, balanced design, as well as integrated applications of controllable parameters, which is particularly suitable for the orientating, sorting and feeding of large or heavy parts.

Features

- Smoothly precisely controlled feeding speed and stability achievable with frequency modulation controllers;
- Particularly suitable for the orientating, sorting and feeding of medium or large parts;
- Selected materials, comprehensive testing with high safety and good stability.

Specifications

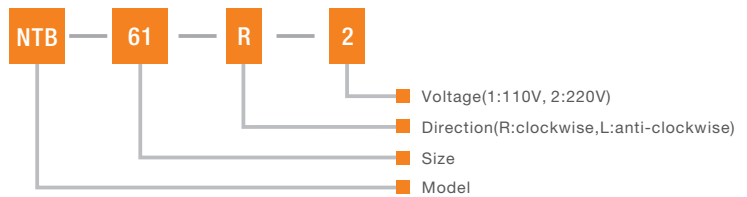
Model	Drive mode	Vibrator mass(kg)	Input voltage(V)	Rated current(A)	Vibration frequency(Hz)	Max.bowl diameter(mm)	Max.loaded weight(kg)	Compatible controller
NTB-46	EM	124	0~200	3	80~220	760	40	SDVC31-L

Dimensions

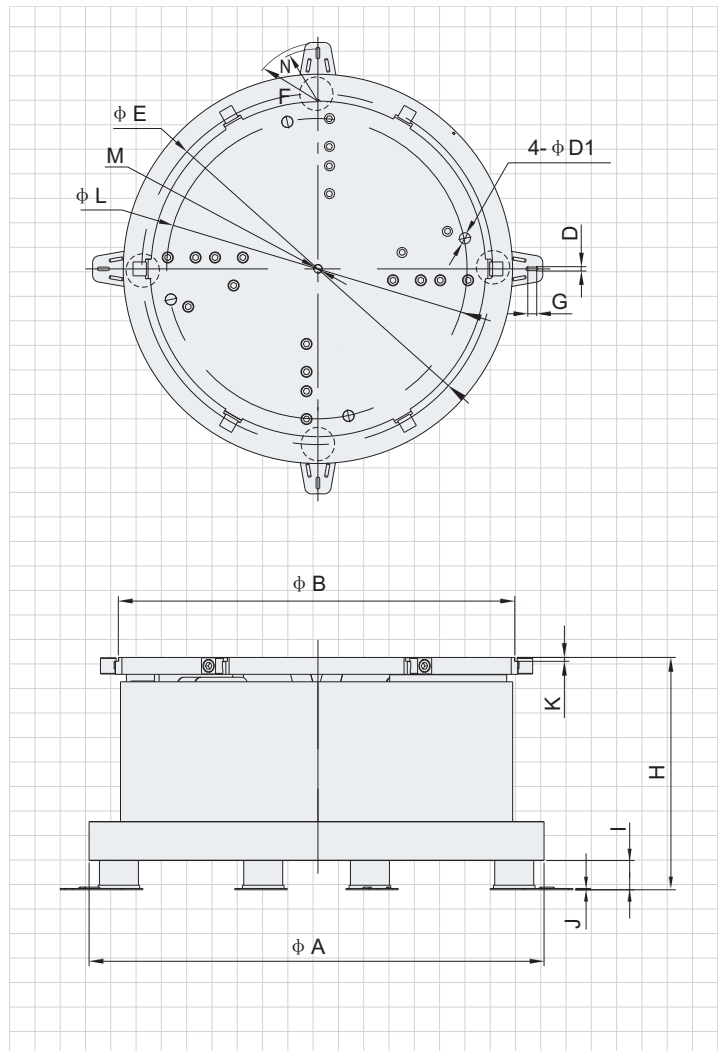
Model	ϕA	ϕB	M	D	ϕE	F	N	G	H	I	J	K
NTB-46	530	460	16	8.5	460	90	78	16.5	286	30	2.5	6

NTB Series - Large-sized Type

Order Code



NTB-61 Dimensions



Outline

NTB-61 is a model of vibratory bowl drives designed for medium or large parts feeding, featured in larger amplitude, balanced design, as well as integrated applications of controllable parameters, which is particularly suitable for the orientating, sorting and feeding of large or heavy parts.

Features

- Smoothly precisely controlled feeding speed and stability achievable with frequency modulation controllers;
- Particularly suitable for the orientating, sorting and feeding of medium or large parts;
- Selected materials, comprehensive testing with high safety and good stability.

Specifications

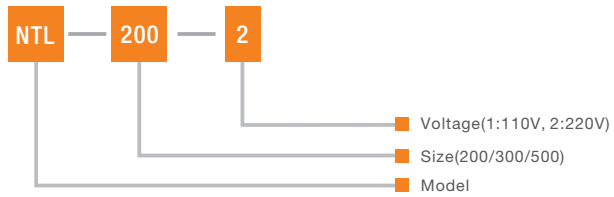
Model	Drive mode	Vibrator mass(kg)	Input voltage(V)	Rated current(A)	Vibration frequency(Hz)	Max.bowl diameter(mm)	Max.loaded weight(kg)	Compatible controller
NTB-61	EM	265	0~200	6	60~200	1000	65	SDVC31-XL

Dimensions

Model	ϕA	ϕB	M	D	$\phi D1$	ϕE	F	N	G	H	I	J	K	ϕL
NTB-61	700	610	16	8.5	20	630	90	78	16.5	357.5	45	2.5	6	540

NTL Series - Small/Medium-sized Type

Order Code



Outline

NTL-200/300/500 are models of linear vibration units designed for small or medium-sized parts feeding, featured in stable feeding capacity, flexible amplitude and frequency, moderate loaded weight, as well as integrated applications of controllable parameters, which can be applicable in multi-working conditions.

Features

- Smoothly precisely controlled feeding speed and stability achievable with frequency modulation controllers;
- Particularly suitable for the orientating, sorting and feeding of small or medium-sized parts;
- Selected materials, comprehensive testing with high safety and good stability;
- 3 lines of screw holes on the top to facilitate the position adjustment of linear tracks.

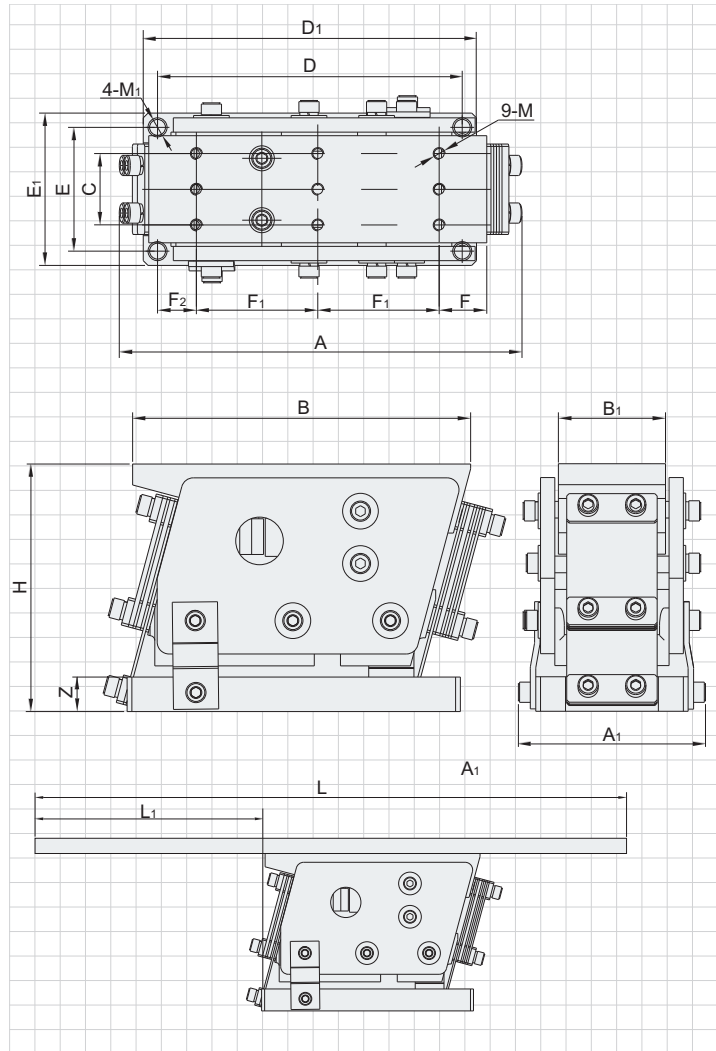
Specifications

Model	Drive mode	Vibrator mass(kg)	Input voltage(V)	Rated currenty(A)	Vibration frequency(Hz)	Max. track length(mm)	Max.loaded weight(kg)	Compatible controller
NTL-200	EM	1.5	0~220	1.5	60~200	200	0.8	SDVC31-S
NTL-300	EM	4	0~220	1.5	60~200	300	1	SDVC31-S
NTL-500	EM	10	0~220	1.5	60~200	500	2	SDVC31-S

Dimensions

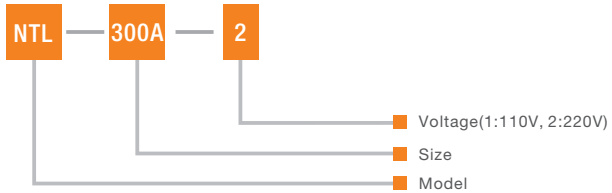
Model	A	A ₁	B	B ₁	C	D	D ₁	M	M ₁	E	E ₁	F	F ₁	F ₂	Z	H	L _{Max.}	L ₁ Max.
NTL-200	124	69	100	33	22	106	120	4	8	41	55	10	40	14.6	12	72.5	200	80
NTL-300	169	81	142	45	30	128	140	5	8	52	64	20	51	16.3	14.5	104	300	100
NTL-500	232	108	194	62	42	176	192	6	8	70	88	25	72	19	22	142	500	200

NTL-200/300/500 Dimensions



NTL Series - Precision Small/Medium-sized Type

Order Code



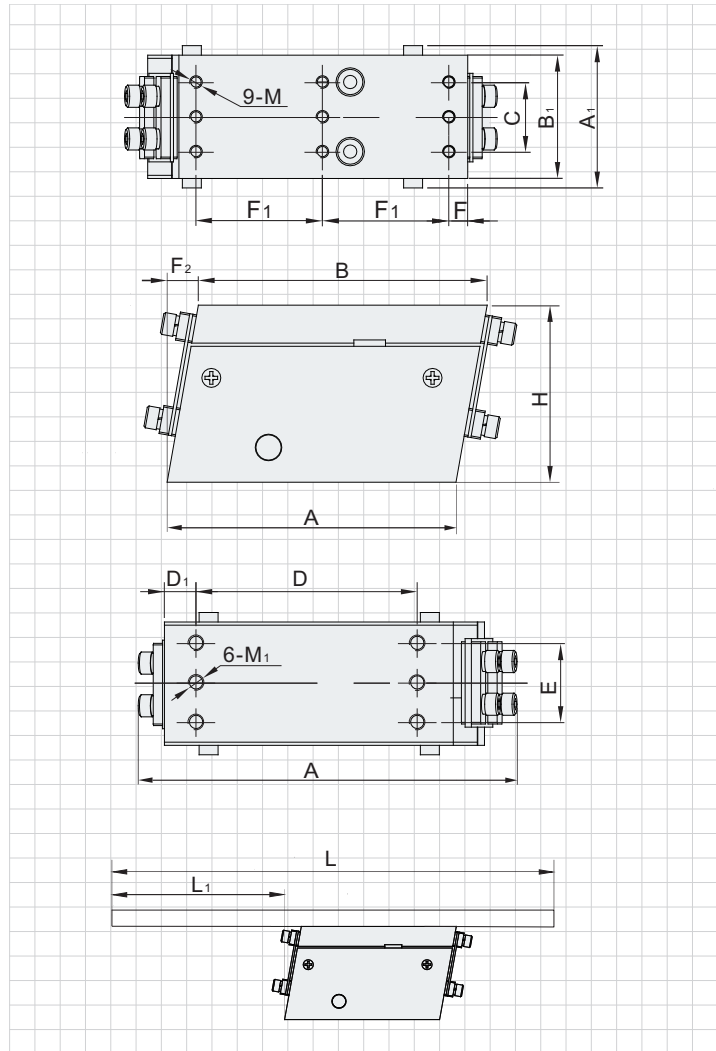
Outline

NTL-300A is a model of linear vibration units designed for small or medium-sized parts feeding, featured in stable feeding capacity, flexible amplitude and frequency, moderate loaded weight, as well as integrated applications of controllable parameters, which can be applicable in multi-working conditions.

Features

- Smoothly precisely controlled feeding speed and stability achievable with frequency modulation controllers;
- Particularly suitable for the orientating, sorting and feeding of small or medium-sized parts;
- Selected materials, comprehensive testing with high safety and good stability;
- 3 lines of screw holes on the top to facilitate the position adjustment of linear tracks.

NTL-300A Dimensions



Specifications

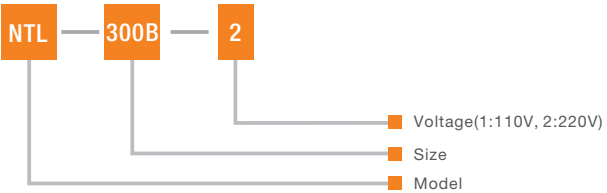
Model	Drive mode	Vibrator mass(kg)	Input voltage(V)	Rated current(A)	Vibration frequency(Hz)	Max. track length(mm)	Max.loaded weight(kg)	Compatible controller
NTL-300A	EM	1.2	0~200	1.5	60~200	300	0.8	SDVC31-S

Dimensions

Model	A	A ₁	B	B ₁	C	D	D ₁	E	M	M ₁	F	F ₁	F ₂	H	L Max.	L ₁ Max.
NTL-300A	122	45	91.4	39	22	70	10	25	4	5	6	40	9.9	56	300	100

NTL Series - Precision Small/Medium-sized Type

Order Code



Outline

NTL-300B is a model of linear vibration units designed for small or medium-sized parts feeding, featured in stable feeding capacity, flexible amplitude and frequency, moderate loaded weight, as well as integrated applications of controllable parameters, which can be applicable in multi-working conditions.

Features

- Smoothly precisely controlled feeding speed and stability achievable with frequency modulation controllers;
- Particularly suitable for the orientating, sorting and feeding of small or medium-sized parts;
- Selected materials, comprehensive testing with high safety and good stability;
- 3 lines of screw holes on the top to facilitate the position adjustment of linear tracks.

Specifications

Model	Drive mode	Vibrator mass(kg)	Input voltage(V)	Rated current(A)	Vibration frequency(Hz)	Max. track length(mm)	Max.loaded weight(kg)	Compatible controller
NTL-300B	EM	3.6	0~200	1.5	60~200	300	0.8	SDVC31-S

Dimensions

Model	A	A1	B	B1	C	D	D1	D2	E	M	M1	F	F1	F2	H	L Max.	L1 Max.
NTL-300B	160	45	91.4	39	22	150	5	6.5	25	4	5	6	40	21.7	103	300	100

NTL-300B Dimensions

